



Egress Marking Solutions

ASSA ABLOY

LiteGuide™ and Beacon™
Leading the Way to Safety

Making exits easy to locate in an emergency, from ASSA ABLOY Group brands:

CORBIN RUSSWIN | FLEMING BARON | SARGENT | YALE

The global leader in
door opening solutions

LiteGuide™ and Beacon™

In an emergency, people must be able to quickly and easily find their way out of a building. Well-functioning doorways, enhanced with audible and visible alerts, play an important role in ensuring safe egress.

ASSA ABLOY Door Security Solutions Group companies provide end-users with several egress marking solutions that greatly enhance traditional exit signage. Complete doorway systems integrate luminescent technology into commercial grade doors, frames and exit hardware.

Making Facilities Safer

ASSA ABLOY provides advanced egress lighting systems that make it easy to find the door in extreme conditions, such as a blackout or a fire. Built into proven door systems, these innovations guide occupants directly to the means of egress:

- LiteGuide integrates luminescent technology into doors, frames and exit hardware in a way that locating the exits becomes virtually intuitive
- Beacon combines audible and visible alerts for making exit locations highly noticeable in an emergency

Preparing for Changing Codes

Worldwide, illuminated pathway marking systems are being written into new building codes to supplement overhead emergency lighting systems. In the United States, the International Building Code 2007 update requires illuminated egress markings in stairwells of high-rise buildings. In addition, some states have enacted legislation that focuses on low-level and enhanced path marking. LiteGuide and Beacon were designed with these codes in mind.



ASSA ABLOY offers a choice of technologies that operate with or without electricity, giving building owners and designers more options for improving building safety.

Contents

LiteGuide PL: Photoluminescent System	4-5
LiteGuide EL: Electroluminescent System	6-7
LiteGuide Frame Options	8-9
Building Code Information	9
Beacon Audible and Visible System	10
Services	11

Egress Marking Solutions for Public Facilities:

- Office and residential buildings
- Convention centers and sports arenas
- Theaters, nightclubs and casinos
- Hotels and restaurants
- K-12 schools and college campuses
- Hospitals and senior living facilities



Illuminated doorways make it easy for people to locate exits and evacuate quickly.



*Industry-leading manufacturers
CORBIN RUSSWIN • FLEMING BARON
SARGENT • YALE
provide innovative egress marking
solutions, available through
ASSA ABLOY Door Security Solutions.*

Simple, Cost-Effective Photoluminescent Solution

LiteGuide™ PL

Clear, Reliable Lighting Without Electricity

LiteGuide PL (photoluminescent technology) is a cost-effective solution for making facilities safer. Ambient light continually charges the LiteGuide PL coating that's built into doorway components. When lights dim or go out and emergency evacuation is needed, egress locations become clearly visible.

The glowing, green PL material is non-toxic and brighter than commonly-used signage. It does not use electricity, so there is no wiring.

Durable and Long Lasting

The photoluminescent hardware coating is extremely durable and resistant to wear and abuse. This is due to the layered manufacturing process that builds luminescence and messaging into the hardware finish. For extra protection, the hardware is topped with a clear powder-coating.

Frames have a specially-designed bead that keeps the PL material securely in place.

Look for LiteGuide PL technology in the following products from the industry's best brands:

Doors and Frames

FLEMING BARON

Exit Devices

CORBIN RUSSWIN PathLite™
SARGENT SARGuide™
YALE Lumi-Lite™

*Ideal for schools,
manufacturing facilities,
offices and more.*



Code Compliant

LiteGuide PL meets the 2006 New York City codes requiring mandatory photoluminescent signage and markings in stairwells for office buildings over 75 feet tall.

LiteGuide PL complements the International Building Code 2007 update requiring luminous markings in exit enclosures, including vertical exit enclosures and exit passageways in buildings greater than 75 feet tall.

When charged to full capacity, LiteGuide PL retains most of its brightness even after 10 minutes of darkness.*
By 90 minutes, it still has enough brightness to see the exit.



Safe:

- Lower placement on door makes exits easier to see in smoky conditions
- Non-toxic, non-radioactive
- Fire-resistant
- Supplements life-safety code requirements

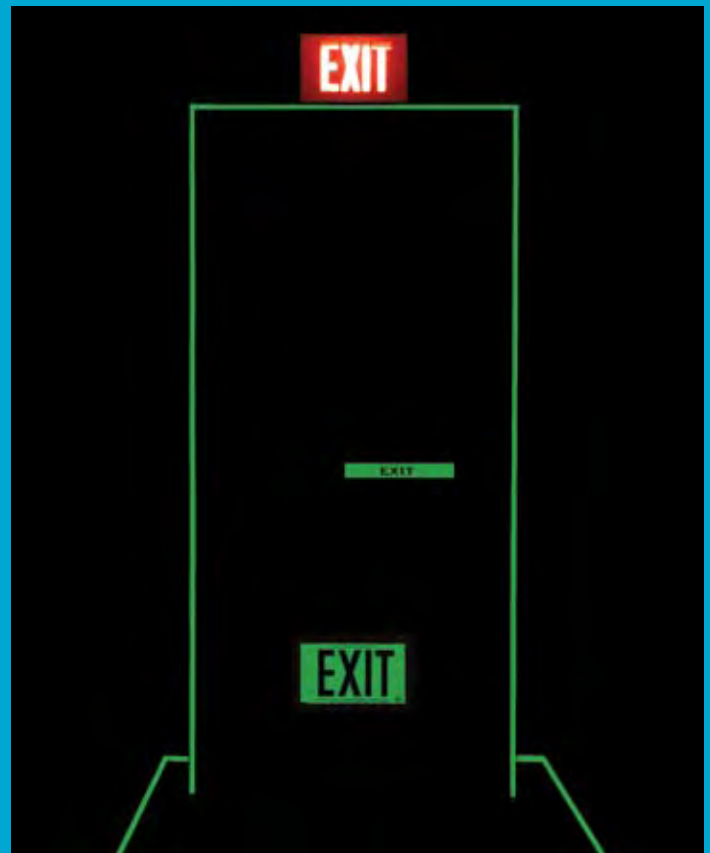
Cost-Effective:

- Easy to install and maintain; ideal for retrofit
- No wiring or power needed
- Highly durable and long lasting, will not rub off or fade

Easy to Maintain:

- Continually charges from ambient light
- Unaffected by temperature changes
- Vandal-resistant

* 30 mcd/m² as per NYC Building Code Reference Standard



LiteGuide PL charges by ambient lighting then emits a bright green glow when lighting is gone.

Luminescent coating is built into the hardware finish.



PL exit signs placed low on the door make exits easy to see in smoky conditions. Shown under normal conditions (left) and fully charged in darkness (right).

LiteGuide™ EL

Optimum Visibility and Sustained Brightness

LiteGuide EL (electroluminescent technology) provides optimum visibility by illuminating the door, frame, and exit device or mortise lock. The blue-green light is much more visible than other light sources, making the escape route easily identifiable in all situations, from bright lighting to complete darkness.

Battery backup ensures LiteGuide EL will operate flawlessly even under extreme conditions such as a fire or a power outage.

Lighting Embedded Into the Opening

LiteGuide EL uses FLATLITE®, a patented electroluminescent lamp known as “the world’s widest, thinnest, longest lightbulb.” FLATLITE strips are securely embedded into the frame and locking hardware — and can withstand extreme abuse and still operate at full capacity. For extra protection, the patented frame houses the light strip in a special channel.

Combining Safety with Flexibility

Since there is no filament to break or fail, LiteGuide EL products are immune to vibration or shock. LiteGuide EL can be set for continuous operation or can tie directly into a facility’s fire controls for automatic fire alarm activation. This makes it ideal for places where controlling the lighting is important.

Look for LiteGuide EL technology in the following products from the industry’s best brands:

Doors and Frames

FLEMING BARON

Exit Devices and Mortise Locks

SARGENT SARGuide™

*Ideal for entertainment venues,
hotels and office buildings.*

System Partner

LiteGuide EL technology can be used for doorways only, or as part of an entire egress path marking system that includes the E-Lume-A-Path™ System from E-Lite Technologies, ASSA ABLOY’s partner in advancing life-safety in public buildings. E-Lume-A-Path provides pathway lighting leading to the exits by incorporating a strip of FLATLITE electroluminescent lamp at the floor level along hallways, corners and stairwells. Together, ASSA ABLOY and E-Lite provide a highly reliable, continuous illuminated path along the floor to the door and egress hardware of the emergency exits.


FLATLITE® is a registered trademark
of E-Lite Technologies, Inc.





LiteGuide EL is much more visible than other light sources, especially in smoky conditions.



Effective:

- Makes exit locations and egress hardware easy to see — low level placement of signage on door is particularly effective in smoky conditions
- Much more visible than traditional emergency lighting
- Durable, long-lasting material withstands extreme abuse

Versatile:

- Easily integrates into fire alarm system
- Can be set up for continuous operation or activation by fire alarm system or power outage
- Can be used with a dimmer switch
- Battery backup available

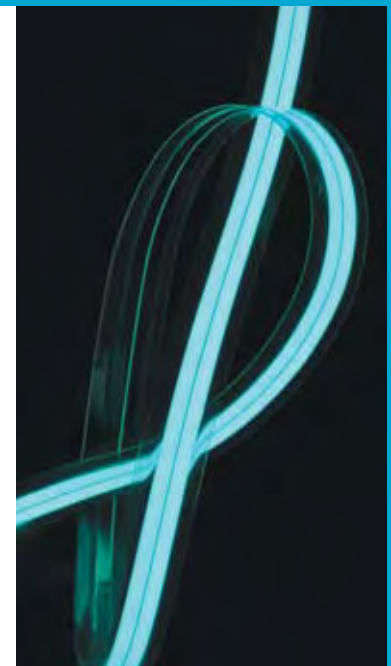
Efficient:

- Durable, flexible lighting material is built into opening components
- Patented frame design protects lighting strip
- Long life — 30,000 operating hours
- Extremely energy efficient — 1,000 feet uses just 85 watts
- No hazardous materials
- Minimum maintenance required
- Connects to E-Lume-A-Path floor path lighting
- Uses standardized ElectroLynx® plug-in connectors for easy connecting of wired components



Integration into the frame, door, hardware and floor path makes LiteGuide EL highly durable and reliable.

LiteGuide EL uses the flexible FLATLITE material.



Hardwiring Made Easy™



LiteGuide EL is compatible with the ElectroLynx® standardized plug in connector system.

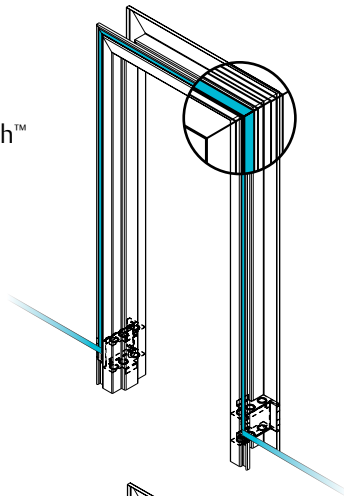
LiteGuide™ Frame Options

For Emergency Exits: EL Frame, Door and Hardware Plus Floor Path Lighting

A patented channel formed in the frame face houses and protects the FLATLITE® lamp. The frame accommodates electrified hardware and door signage.

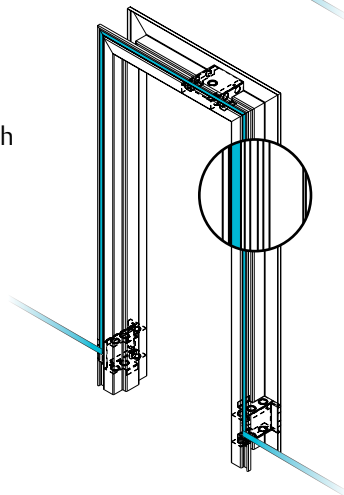
Complete System

- Connects to E-Lume-A-Path™ floor path lighting
- Powered by connection with E-Lume-A-Path floor path lighting at the base of each jamb



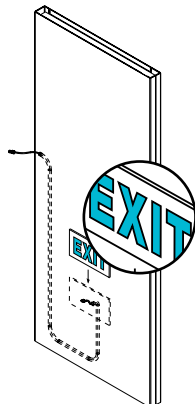
Stand-Alone

- Connects to E-Lume-A-Path floor path lighting
- Powered by a stand-alone power supply



Low Level Exit Sign

- Door includes an electric hinge preparation, face hole located 11" from bottom of door and centered in door width, and a wire harness



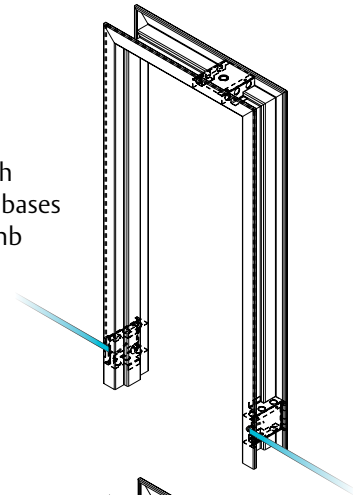
A critical component of the LiteGuide system is the patented door frame, which is designed to house and protect the electroluminescent light strip. In addition, the frame acts as a conduit for facilitating a complete egress marking system that includes hardware, door signage and floor path lighting. To accommodate various applications, there are several options available with FLEMING BARON frames.

For Non-Emergency Doors: Hardware Plus EL Floor Path Lighting

The bypass frame allows E-Lume-A-Path floor path lighting to connect through the frame system and continue the egress path lighting from the opposite door jamb, without illuminating the frame perimeter. The frame accommodates electrified hardware and door signage.

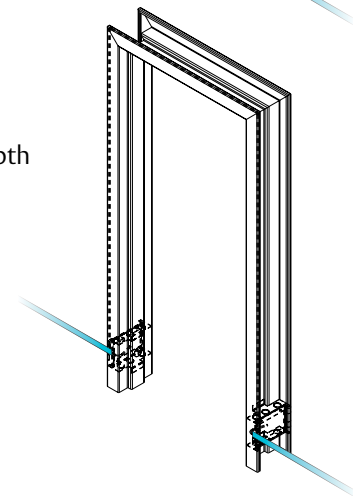
Junction Bypass Frame Assembly

- Includes full jamb depth junction boxes at both bases and the head of the jamb



Bypass Frame Assembly

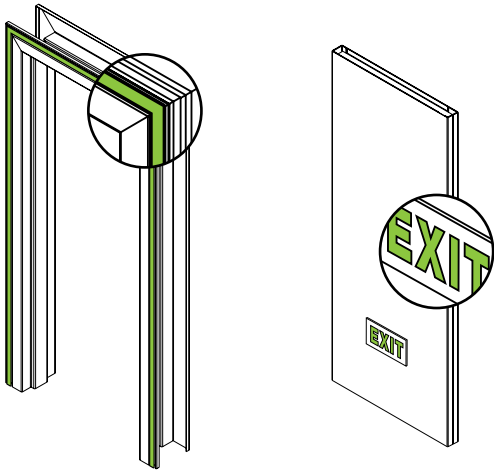
- Includes a full jamb depth junction box at base of both jambs



Code Information

For Emergency Exits: PL Frame and Door Applications

A special bead on the frame face accommodates the 1" photoluminescent material. A PL exit sign is available for attaching to the door face. No power is needed.



ASSA ABLOY Addresses Emergency Egress Code Requirements

Illuminated pathway marking systems are increasingly being written into new building codes to supplement overhead emergency lighting systems. New York and Rhode Island have responded to devastating tragedies with legislation and recommendations that focus on low-level signage and enhanced path marking.

The following code requirements reflect changes pertaining to illuminated pathway marking systems. For more details, visit "Code Corner" at www.liteguide.com.

International Building Code 2007

- *Supplement to the 2006 edition*
- *Sections 1027.1.1 through 1027.1.7 Exit Path Markings*

New York

- *Local Law 26 of 2004, New York City Building Code 27-383(b)*
- *Exit Path Markings in High Rise Office Buildings and in Occupancy Group E High Rise Buildings*

Rhode Island

- *23-28.6-22 Comprehensive Fire Safety Act of 2003*
- *Special amusement building concentrated occupancy places of assembly*

See videos of
egress marking solutions at
www.liteguide.com.



Beacon™

Audible Alerts Enhance Signage

Beacon uses synchronized audible and visible alerts for pointing out emergency exit locations in low visibility conditions. Beacon is connected to the building's alarm system and when activated, it repeatedly emits a pulse of light and white noise followed by a verbal message declaring "exit located here" (in several languages). A laser light beamed from the exit device forms an arrow shape that points directly to the illuminated touchbar — making it easy for occupants to locate the exit and get out quickly.

Alerts repeat in sequence. The white noise component combines a variety of sound frequencies to cut through background noise and get people's attention. Verbal "exit located here" messages can be customized as requested. The bright green laser is more eye-catching than other colors, especially in smoky conditions.

*Ideal for hospitals,
nursing or assisted living
facilities, and schools.*

Beacon combines audible and visible alerts for making exit locations highly noticeable in an emergency.

All Beacon components are contained in SARGENT 80 Series exit devices:

Visible Components

Illuminated Touchpad
Strobe (Pulse) Light
Laser Beam

Audible Components

White Noise
Multilingual Messages

Improved Life-Safety:

- People can exit faster because they'll easily see and hear where the exits are located
- Works as part of the fire alarm system
- Goes far beyond standard egress requirements

Convenient:

- Easy to retrofit into an existing electrified opening
- All components contained in SARGENT exit device
- Flexible options and modular design allow end-users to easily incorporate preferred features
- Minimal maintenance required



Fire, Panic and
Component
Listed with Kit

Hardwiring Made Easy™



Beacon is compatible with the ElectroLynx® standardized plug in connector system.



Complete Assistance Throughout a Project

Services

Nationwide Teams

The ASSA ABLOY Door Security Solutions nationwide teams of sales representatives, specification consultants, and technical experts provide assistance throughout all phases of a project, from security evaluation through installation.

Architectural Consulting Services

Specification consultants are well-versed in local and national codes. They will help architects and designers create attractive openings that meet all security and life-safety requirements.

- Product research and selection
- Specification writing
- Hardware schedule preparations
- Architectural training and education

Vertical Market Consulting Services

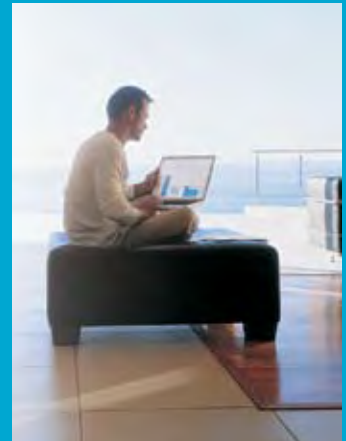
Vertical market specialists work closely with educational, healthcare, government, hospitality and retail end-users. With specialized training and market-specific focus, these representatives address all security and life-safety needs.

- Site surveys and audits
- Product consultation
- Key control management
- Assistance with ADA compliance

Electronic Access Control Consulting Services

Specialists in electrified doorways work with security system integrators, distributors and end-users to ensure fully-integrated openings that work with a building's overall security and life-safety plan.

- Site surveys and audits
- Wiring diagram review and processing
- Pre-install meeting participation
- Electronic access control training and education



Local Door Security Solutions teams work directly with distributors, architects, system integrators, security officials, and end-users to select and specify the most appropriate openings for all applications.

*See next page
to find the
Door Security Solutions
team in your area.*

ASSA ABLOY is the global leader in door opening solutions, dedicated to satisfying end-user needs for security, safety and convenience.

ASSA ABLOY

ASSA ABLOY Door Security Solutions provides end-users with unsurpassed security and life-safety solutions, and the essential support services to ensure well-functioning doorway systems. This is all accomplished by combining the strengths of industry-leading door and hardware brands.

Contact your local Door Security Solutions team for assistance.

Door Security Solutions - British Columbia

Coquitlam, BC
Phone: 604.464.1444 (main)
866.461.1459 (toll-free)

Door Security Solutions - Alberta

Calgary, AB
Phone: 403.287.7712

Door Security Solutions - Manitoba/Saskatchewan

East St. Paul, MB
Phone: 204.669.5098

Door Security Solutions - Ontario

Vaughan, ON
Phone: 905.738.2466 (main)
800.461.3007 (toll-free)

Door Security Solutions - Quebec

Montreal, QC
Phone: 514.387.7515

Door Security Solutions - Atlantic Canada

Riverview, NB
Phone: 506.387.9100

Door Security Solutions

Integrated Solutions Specialist, Western Canada
Langley, BC
Phone: 604.218.5977

Door Security Solutions

Integrated Solutions Specialist, Eastern Canada
Ottawa, ON
Phone: 613.889.7397

ElectroLynx®

As part of their promise to provide innovative, fast and effective, and higher security solutions to their customers, ASSA ABLOY Group companies offer ElectroLynx, a universal quick-connect system that simplifies the electrification of the door opening. ElectroLynx® is a registered trademark of ASSA ABLOY, Inc.

Hardwiring Made Easy™



LiteGuide™

As part of their promise to provide innovative solutions to their customers, ASSA ABLOY Group companies offer the LiteGuide system, a luminescent egress marking system. LiteGuide installation is facilitated by ASSA ABLOY's ElectroLynx, a universal quick-connect system that simplifies the electrification of the door. LiteGuide™ is a trademark of ASSA ABLOY, Inc.

Beacon™

As part of their promise to provide innovative life-safety solutions to their customers, ASSA ABLOY Group companies offer Beacon, part of the LiteGuide family of products. Beacon combines audio and visual alerts to make exit locations easy to find. Beacon™ is a trademark of ASSA ABLOY, Inc.

Door Security Solutions® Canada

160 Four Valley Drive

Vaughan, ON L4K 4T9

800.461.3007 | 905.738.2466

www.assaabloycanadadss.com | www.liteguide.com